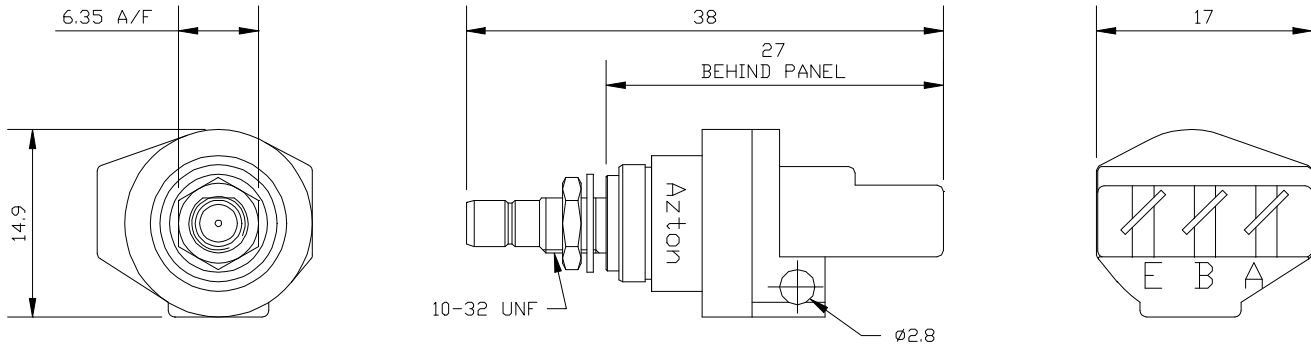


## Balun, 75/120W, 2-8Mbit/s, E1 & E2 SMB (m) Bulkhead to 3 Pole IDC



### PRODUCT DESCRIPTION

This Balun converts E1 and E2 G.703 signals from unbalanced 75Ω coaxial to balanced 120Ω twisted pair transmissions. A bi-directional device requiring no external power, it allows the user to connect telecommunications equipment with mismatched interfaces or convert a coaxial DDF to twisted pair. Designed for mounting in a DDF panel this product offers the following features:-

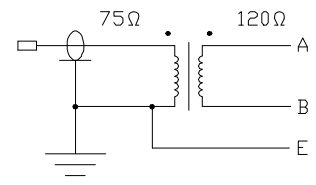
- coax to twisted pair conversion
- exceeds G.703 requirements
- > 33dB return loss 0.3 to 3MHz
- shielded construction
- genuine Krone® IDC
- SMB (m) connector to IEC 169-10
- 75Ω to 120Ω impedances
- < 0.15dB E1 insertion loss
- > 1.25μm of gold plating on pin
- designed for long life
- small size
- 2 and 8Mbit/s data rates
- > 70dB cross talk
- teflon coaxial insulators
- built for high reliability

### OPERATING CONDITIONS

Matching Impedance:	75 ohm unbalanced coaxial to 120 ohm balanced twisted pair
Bit Rate:	2Mbit/s (E1) and 8Mbit/s (E2) per ITU-T G.703 Line Code
Signal Level:	2.37V nominal peak voltage at the coaxial end per G.703
Working Temperature:	-30°C to 75°C

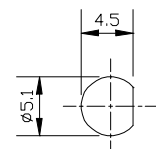
### ELECTRICAL SPECIFICATIONS

Insertion Loss:	< 0.15dB from 51kHz to 3.072MHz (E1) and < 0.20dB from 211kHz to 12.673MHz (E2) in both directions
Return Loss:	Exceeds G.703 requirements > 26dB from 51kHz to 3.072MHz (E1) and > 26dB from 211kHz to 12.673MHz (E2)
Pulse Shape:	Exceeds G.703 requirements for 2Mbit/s and 8Mbit/s
Cross Talk:	> 70dB from 51kHz to 12.673MHz, 2 baluns 15mm apart
Isolation Voltage:	< 250V DC



### MECHANICAL SPECIFICATIONS

Coaxial Connector:	SMB male to IEC 169-10 Body: Brass, Plated Cu/Ni5/Au0.8 and Cu/Ni2/Sn5 Pin: Brass, Plated Cu/Ni5/Au1.25 Insulator: Teflon Mating Cycles: 500min
IDC Connector:	Wire: Conductor Ø 0.4 to 0.65mm, Insulation Ø 0.7 to 1.4mm Contacts: Silver Plated Moulding: Polyester White Mating Cycles: 50min
Mouldings:	Noryl Black



PUNCH DETAIL

### TERMINATION

IDC:	Krone Connection Tool 6089 2 003-00 or 6417 1 810-02
Panel Mounting:	Spanner ¼" (6.35mm) A/F

<sup>a</sup> registered trade mark of the Krone Company

Specification subject to change without notice  
B41BB01 Data Sheet R1.0.doc