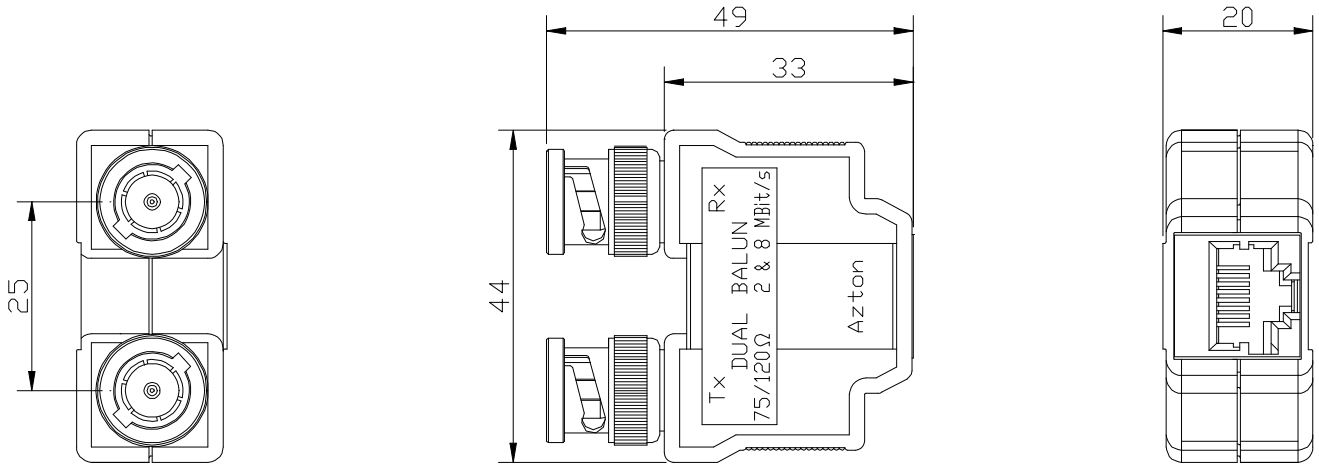


Dual Balun, 75/120W, 2-8Mbit/s, E1 & E2, Shielded BNC (m) to RJ45 (f)



PRODUCT DESCRIPTION

This Dual Balun converts a G.703 E1 or E2 Tx and Rx pair from unbalanced 75Ω coaxial to balanced 120Ω twisted pair transmissions. A bi-directional device requiring no external power, it allows the user to connect telecommunications equipment with mismatched interfaces or convert to twisted pair distribution wiring. Designed for use stand alone or in Azton's Modular Balun Panel this product offers the following features:-

- coax to twisted pair conversion
- exceeds G.703 requirements
- > 33dB return loss 0.3 to 3MHz
- shielded construction
- mount stand alone or in MXX20
- BNC (m) connector to IEC 169-8
- 75Ω to 120Ω impedances
- < 0.15dB E1 insertion loss
- > 1.25μm of gold plating on pin
- designed for long life
- small size
- 2 and 8Mbit/s data rates
- > 70dB cross talk
- teflon coaxial insulators
- built for high reliability

OPERATING CONDITIONS

Matching Impedance:	75 ohm unbalanced coaxial to 120 ohm balanced twisted pair
Bit Rate:	2Mbit/s (E1) and 8Mbit/s (E2) per ITU-T G.703 Line Code
Signal Level:	2.37V nominal peak voltage at the coaxial end per G.703
Working Temperature:	-30°C to 75°C

ELECTRICAL SPECIFICATIONS

Insertion Loss:	< 0.15dB from 51kHz to 3.072MHz (2Mbit/s, E1) and < 0.20dB from 211kHz to 12.673MHz (8Mbit/s, E2) in both directions
Return Loss:	Exceeds G.703 requirements by > 13dB for 2Mbit/s and > 8dB for 8Mbit/s
Pulse Shape:	Exceeds G.703 requirements for 2Mbit/s and 8Mbit/s
Cross Talk:	> 70dB from 51kHz to 12.673MHz between channels
Isolation Voltage:	< 250V DC

MECHANICAL SPECIFICATIONS

Coaxial Connector:	BNC male to IEC 169-8 Body: Brass, Plated Cu/Ni5 Pin: Brass, Plated Cu/Ni5/Au1.25 Slotted Contact: Brass, Plated Cu/Ni5 Insulator: Teflon Mating Cycles: 500min
RJ45 Connector:	Contacts: Phosphor Bronze, Plated Ni/Au Moulding: PBT Glass Filled, Black Shield: Brass, Plated Sn
Mouldings:	ABS-PC, Black

ACCESSORIES

Mounting Frames:	For 19", 21" and 23" racks
Brackets:	For vertical and horizontal surface mounting

