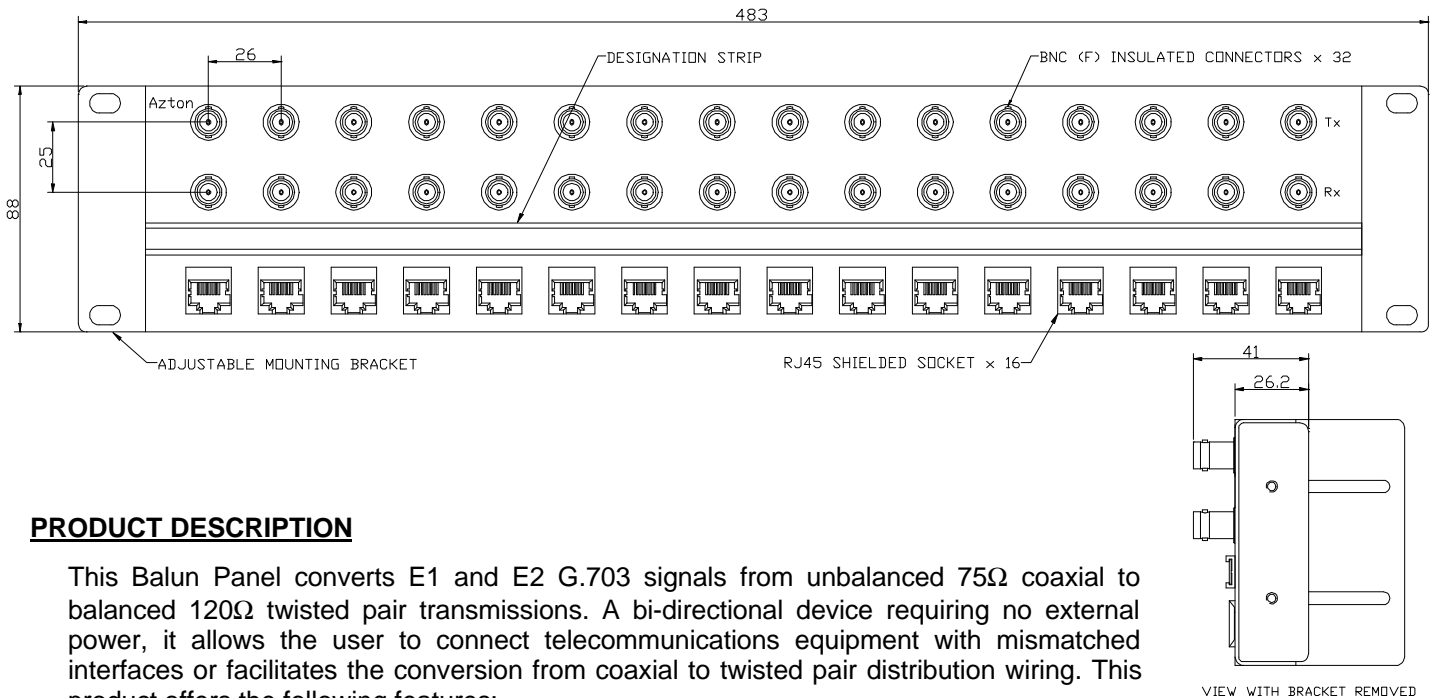


Balun Panel, 75/120W, 2-8Mbit/s, E1 & E2, Shielded 19" 2RU, 32xBNC (f) to 16xRJ45 (f)



PRODUCT DESCRIPTION

This Balun Panel converts E1 and E2 G.703 signals from unbalanced 75Ω coaxial to balanced 120Ω twisted pair transmissions. A bi-directional device requiring no external power, it allows the user to connect telecommunications equipment with mismatched interfaces or facilitates the conversion from coaxial to twisted pair distribution wiring. This product offers the following features:-

- coax to twisted pair conversion
- exceeds G.703 requirements
- > 70dB cross talk
- mounts in standard 19" rack
- zinc sealed, powder coated steel
- BNC (f) to RJ45 shielded
- > 33dB return loss 0.3 to 3MHz
- single sided cable access
- > 1.25μm of gold plating on pin
- configuration options available
- 75Ω to 120Ω impedances
- < 0.15dB E1 insertion loss
- < 0.15dB E2 insertion loss
- mount recessed to ease cable entry
- teflon coaxial insulators
- long life, high reliability

OPERATING CONDITIONS

Matching Impedance:	75 ohm unbalanced coaxial to 120 ohm balanced twisted pair
Bit Rate:	2Mbit/s (E1) and 8Mbit/s (E2) per ITU-T G.703 Line Code
Signal Level:	2.37V nominal peak voltage at the coaxial end per G.703
Working Temperature:	-30°C to 75°C

ELECTRICAL SPECIFICATIONS

Insertion Loss:	< 0.15dB from 51kHz to 3.072MHz (2Mbit/s, E1) and < 0.20dB from 211kHz to 12.673MHz (8Mbit/s, E2) in both directions
Return Loss:	Exceeds G.703 requirements by > 13dB for 2Mbit/s and > 8dB for 8Mbit/s
Pulse Shape:	Exceeds G.703 requirements for 2Mbit/s and 8Mbit/s
Cross Talk:	> 70dB from 51kHz to 12.673MHz between channels
Isolation Voltage:	< 250V DC

MECHANICAL SPECIFICATIONS

Coaxial Connector:	BNC female to IEC 169-8 Body: Brass, Plated Cu/Ni5b Pin: Phosphor Bronze, Plated Cu/Ni5/Au1.25 Insulator: Teflon Mating Cycles: 500min
RJ45 Connector:	Contacts: Phosphor Bronze, Plated Ni/Au Moulding: PBT Glass Filled, Black Shield: Brass, Plated Sn
Panel:	Steel, Zinc Sealed and Powder Coated Black
Insulators:	Polyethylene, Black

ACCESSORIES

Mounting Brackets:	For 21" and 23" racks
--------------------	-----------------------

